

**Ersatzteilliste**

**Spare Parts List**

**Liste des pièces de rechange**

**KÄRCHER 455**

**1.747-689 USA 115V 1Ph.60Hz**

A 7490/7491

5.952-589 06/92

# Index

# M 16

GRUPE 1: EINZELTEILE	A 1 - B 1
GRUPE 2: PUMPENSATZ	A 2 - G 2
GRUPE 3: MOTOR	A 3 - B 3
GRUPE 4: ZUBEHÖR	A 4 - C 4
GROUP 1: COMPONENT PARTS	A 1 - B 1
GROUP 2: PUMP UNIT	A 2 - G 2
GROUP 3: MOTOR	A 3 - B 3
GROUP 4: ACCESSORIES	A 4 - C 4
GRUPE 1: PIÈCES DÉTACHÉES	A 1 - B 1
GRUPE 2: MOTO-POMPE	A 2 - G 2
GRUPE 3: MOTEUR	A 3 - B 3
GRUPE 4: ACCESSOIRES	A 4 - C 4



**KÄRCHER**

**A 1**

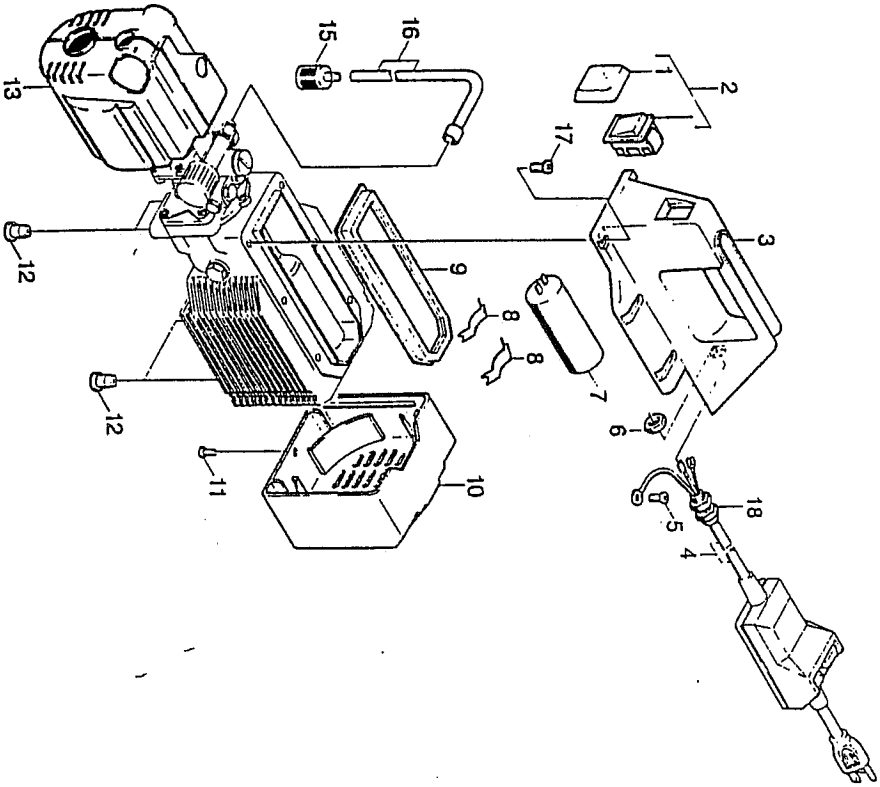
**KÄRCHER 455**

**Gruppe 1: Einzelteile**  
**Group 1: Component Parts**  
**Groupe 1: Pièces détachées**

Gruppe 1: Einzelteile  
 Group 1: Component Parts  
 Groupe 1: Pièces détachées

**B 1**

**KÄRCHER 455**



Pos. Benennung Item Description Pos. Designation	Teile-Nr. Part-No. No. pièce	Stück Qty. Nbr.
1 Schutzkappe/ Protecting Cap/ Capot Protection	6.631-267.0	1
2 Schalter M.kappe/ Switch With Cap/ Interrupteur Avec Capuchon	6.631-305.0	1
3 Griff/ Handle/ Poignée	5.321-245.0	1
4 Kabel mit Stecker/ Cable With Plug/ Cable Avec Fiche	6.641-918.0	1
5 Erdungsschr. M4x8/ Screw M4x8/ Vis M4x8	6.303-074.0	1
6 Gegenmutter Pg 11/ Counternut/ Contre-Ecrou	6.641-367.0	1
7 Kondensator 60mf/ Capacitor/ Condensateur	6.661-136.0	1
8 Spannteil/ Clamp Element/ Pièce de Serrage	5.263-037.0	2
9 Profildichtung/ Profile Seal/ Joint Profile	5.365-138.0	1
10 Haube/ Cap/ Capot	5.066-265.0	1
11 Linsenschr. M4x8/ Oval Head Screw/ Vis A Tête Bombée	6.303-082.0	1
12 Auflager/ Support/ Appui	5.057-037.0	4
13 Haube/ Cap/ Capot	5.066-371.0	1
15 Filter/ Filter/ Filtre	6.414-277.0	1
16 Schlauch NW 5/ Flexible Tube/ Tuyau Flexible (1m)	6.388-216.0	1
17 Linsenschr. M5x16/ Oval Head Screw/ Vis A Tête Bombée	6.303-101.0	6
18 Kabelverschraubung Pg 11/ Cable Connector/ Raccord de Cables	6.641-668.0	1





**KÄRCHER**

**A 2**

**KÄRCHER 455**

**Gruppe 2: Pumpensatz**

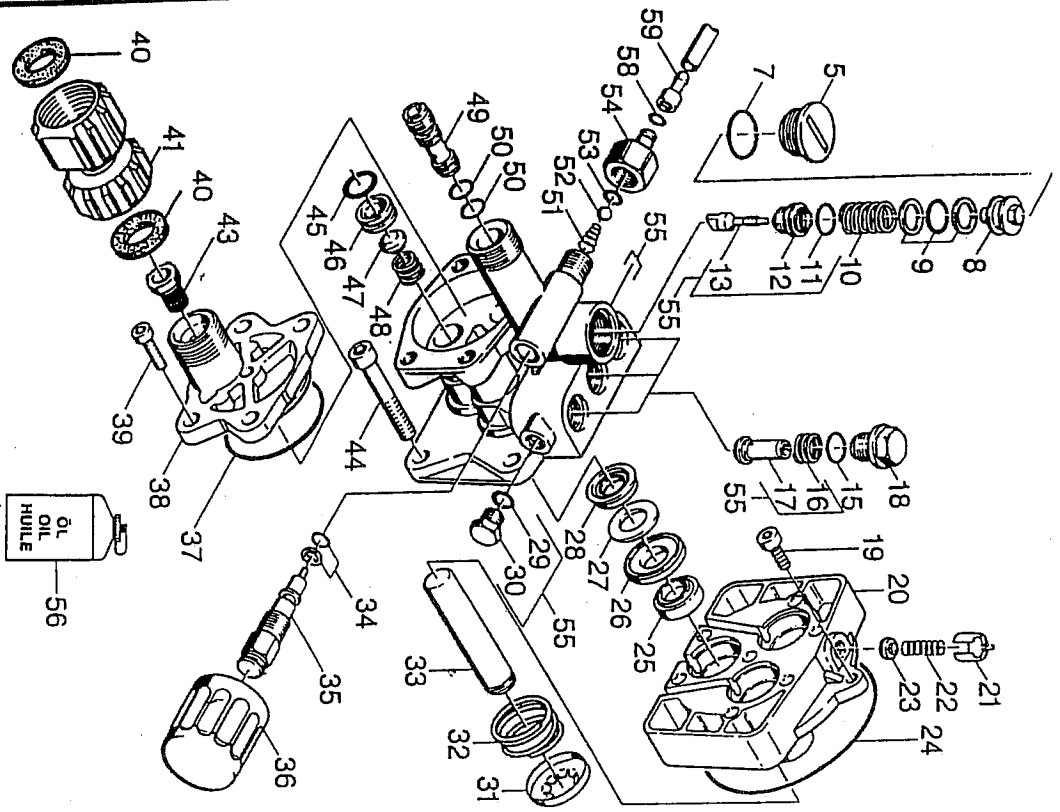
**Group 2: Pump Unit**

**Groupe 2: Moto-pompe**

Gruppe 2: Pumpensatz  
 Group 2: Pump Unit  
 Groupe 2: Moto-pompe

**B 2**

**KÄRCHER 455**



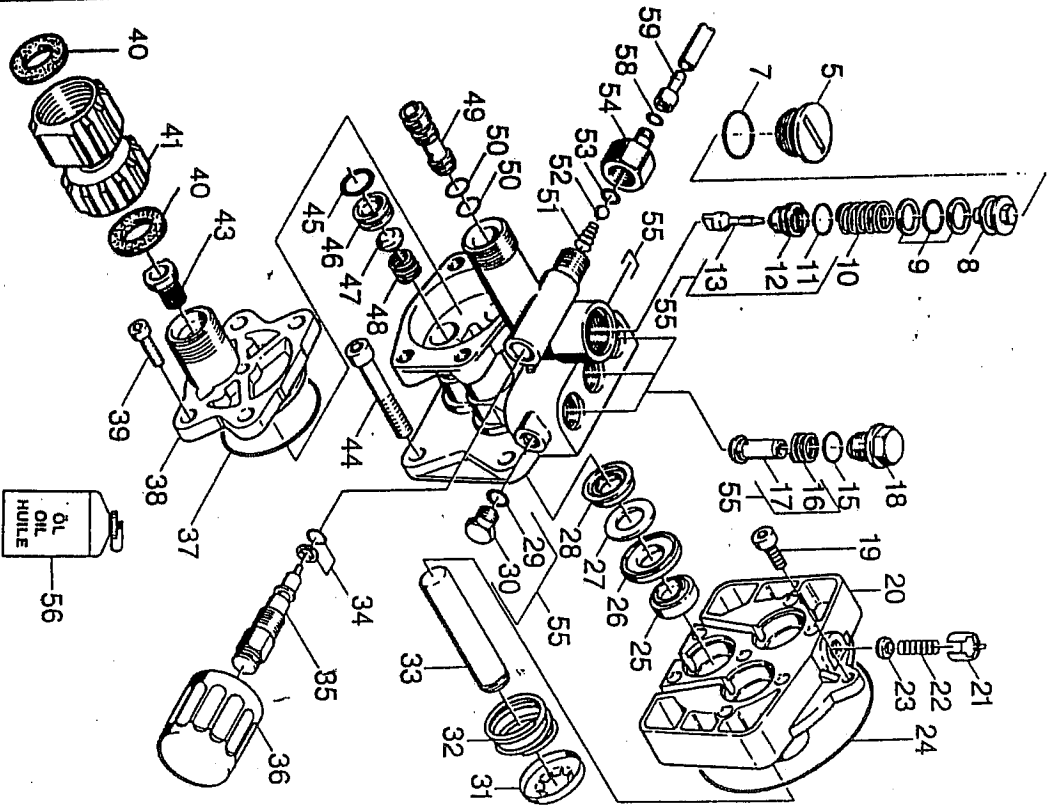
Pos. / Item / Pos.	Benennung / Description / Designation	Teil-Nr. / Part-No. / No. pièce	Stück / Qty. / Nbr.
--------------------	---------------------------------------	---------------------------------	---------------------

bis Werk-Nr. 52 002/up to serial No. 52 002/jusqu'au N° de fabrication 52 002			
5	Verschluss-Schraube/ Screw Plug/ Bouchon de Vidange	5.411-072.0	1
7	O-Ring 18x2,5/ O-Ring 18 X 2,5/ Joint Torique	6.362-079.0	1
8	Kolben/ Piston/ Piston	5.553-176.0	1
9	O-Ring Kpl./1st.-R./ O-Ring/ Joint Torique	6.362-375.0	1
10	Schraubenfeder/ Coil Spring/ Ressort	5.332-207.0	1
11	O-Ring 12,0x2,0/ O-Ring/ Joint Torique	6.362-169.0	1
12	Ventil-Sitz/ Valve Seat/ Siege Soupape	5.581-103.0	1
13	Formschraube/ Special Screw/ Vis Poussoir	5.305-146.0	1
15	O-Ring 13,3x2,4/ O-Ring/ Joint Torique	6.362-078.0	3
16	Schraubenfeder/ Coil Spring/ Ressort Helicoïdal	5.332-116.0	3
17	Ventilbolzen/ Valve Pin/ Siege de Soupape	5.584-056.0	3
18	Ventilschraube/ Valve Screw/ Bouchon de Soupape	5.583-088.0	3
19	Zyl.schr. M6x12/ Cheese Head Screw/ Vis A Tete Cylindr.	6.304-016.0	2
20	Gehäuse/ Housing/ Boîtier	5.060-340.0	1
21	Formteil/ Moulding/ Piece Profilée	5.030-533.0	1
22	Schraubenfeder/ Coil Spring/ Ressort	5.332-209.0	1
23	Ventilteller/ Valve Disk/ Tete de Soupape	5.582-080.0	1
24	O-Ring 85x3/ O-Ring/ Joint Torique	6.362-097.0	1
25	Nutring 16x24x7/ Packing Ring/ Joint Rainure	6.365-322.0	3
26	Scheibe/ Washer/ Rondelle	5.115-385.0	3
27	Scheibe/ Disk/ Disque.	5.115-425.0	3

Gruppe 2: Pumpensatz  
 Group 2: Pump Unit  
 Groupe 2: Moto-pompe

C 2

KÄRCHER 455



Pos. Benennung Item Description Pos. Designation	Teile-Nr. Part-No. No. piece	Stück Qty. Nbr.
--	------------------------------------	-----------------------

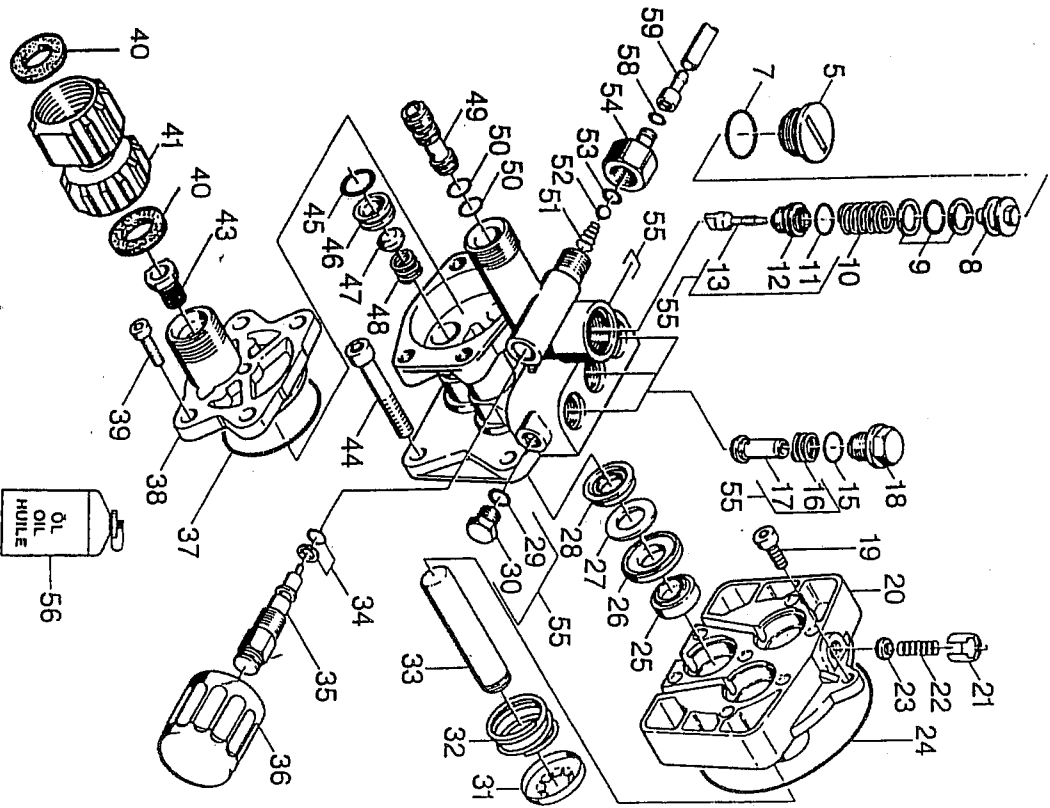
bis Werk-Nr. 52 003/up to serial No./jusqu'au numero de fabrication		
28	Nutring 16x24x5/ Packing Ring/ Joint Rainure	6.365-321.0 3
29	O-Ring 8x2/ O-Ring/ Joint Torique	6.362-101.0 1
30	Verschluss-Schraube/ Screw Plug/ Bouchon	5.411-064.0 1
31	Formteill/ Moulding/ Piece Profilée	5.030-500.0 3
32	Schraubfeder/ Coil Spring/ Ressort Helicoidal	5.332-206.0 3
33	Kolben/ Piston/ Piston	5.553-184.0 3
34	O-Ring komplett/ O-Ring Compl./ Joint Torique Compl	6.362-365.0 1
35	Spindel/ Spindle/ Axe	5.291-032.0 1
36	Griff/ Handle/ Poignee	4.321-052.0 1
37	O-Ring 50x2/ O-Ring 50x2/ Joint Torique 50x2	6.362-561.0 1
38	Gehäusedeckel/ Cover/ Couverture	5.060-336.0 1
39	Zyl.schr. M8x20/ Cheese Head Screw/ Vis A Tete Cylindr.	6.303-078.0 4
40	Flachdichtung/ Flat Packing/ Garniture Plate	5.364-129.0 2
41	Verschraubungsteil/ Screw Fitting/ Raccord Visse	4.401-059.0 1
43	Stieb/ Strainer/ Passoir	6.414-252.0 1
44	Zyl.schr. M8x50/ Cheese Head Screw/ Vis A Tete Cylindr.	6.304-017.0 4
45	O-Ring 14x2/ O-Ring 14x2/ Joint Torique 14x2	6.362-481.0 3
46	Ventil-Stitz/ Valve Seat/ Siège de Soupape	5.581-104.0 3
47	Ventilteller/ Valve Head/ Tete de Soupape	5.582-073.0 3
48	Schraubfeder/ Coil Spring/ Ressort A Boudin	5.332-249.0 3
49	Dueseneinsatz/ Nozzle Insert/ Injecteur Detergent	5.769-087.0 1



Gruppe 2: Pumpensatz  
 Group 2: Pump Unit  
 Groupe 2: Moto-pompe

# D 2

# KÄRCHER 455



Pos. Benennung  
 Item Description  
 Pos. Designation

Teile-Nr.  
 Part-No.  
 No.-piece

Stück  
 Qty.  
 Nbr.

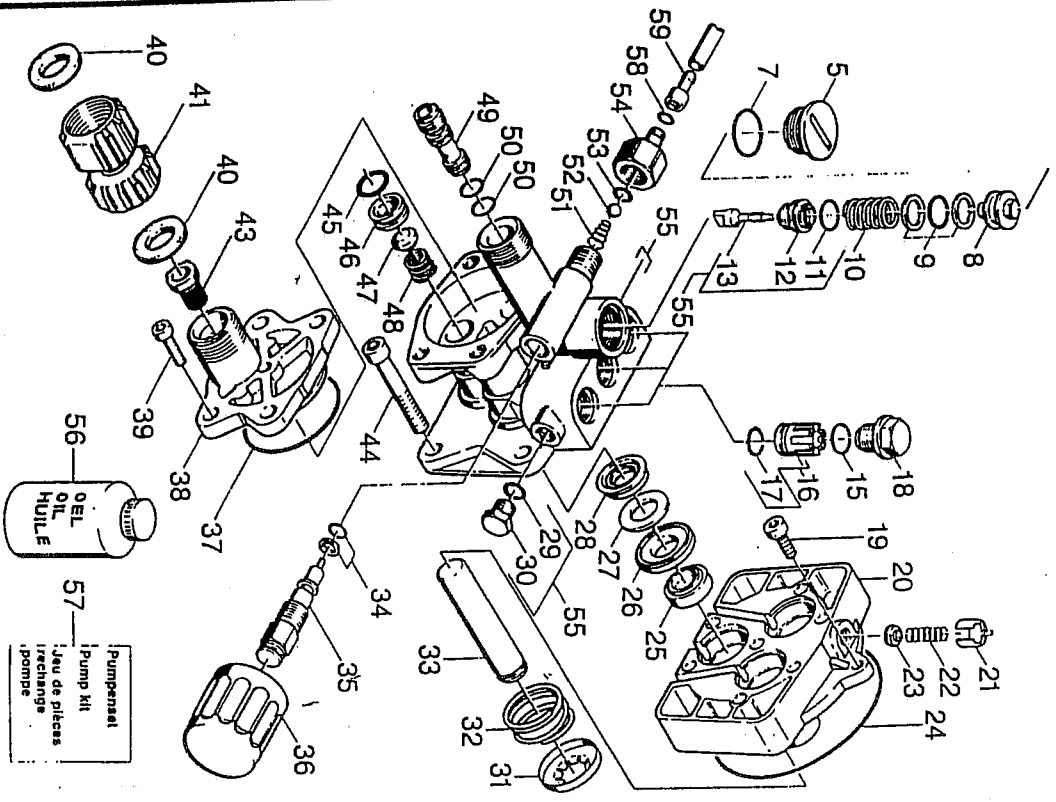
bis Werk-Nr. 52 002/up to serial No. 52 002/jusqu'au N° de fabrication 52 002			
50	0-Ring 9x1,5/ 0-Ring 9x1,5/ Joint Torique 9x1,5	6.362-384.0	2
51	Schraubenfeder/ Coil Spring/ Ressort A Boudin	5.332-124.0	1
52	Stahlkugel 7 D/ Steel Ball/ Ball D'acier	7.401-909.0	1
53	0-Ring 6x2/ 0-Ring 6x2/ Joint Torique 6x2	6.362-383.0	1
54	Schlauchkupplung/ Hose Coupling/ Raccord Pompiers	5.446-005.0	1
55	Umbausatz Zylinderkopf/ Reversion Kit Cylinder Head/ Jeu de Remplacement Culasse de Cylindre	2.882-293.0	1
56	Motorenoel 11/ Engine Oil/ Huile A Moteurs	6.288-050.0	11
58	0-Ring/ 0-Ring/ Joint Torique	6.362-362.0	1
59	Schlauchnippel/ Hose Stem/ Raccord Pour Tuyau	5.443-300.0	1





Gruppe 2: Pumpensatz  
 Group 2: Pump Unit  
 Groupe 2: Moto-pompe

# E 2 KÄRCHER 455



Pos. Benennung  
 Item Description  
 Pos. Designation

Teile-Nr.  
 Part-No.  
 No. piece

Stück  
 Qty.  
 Nbr.

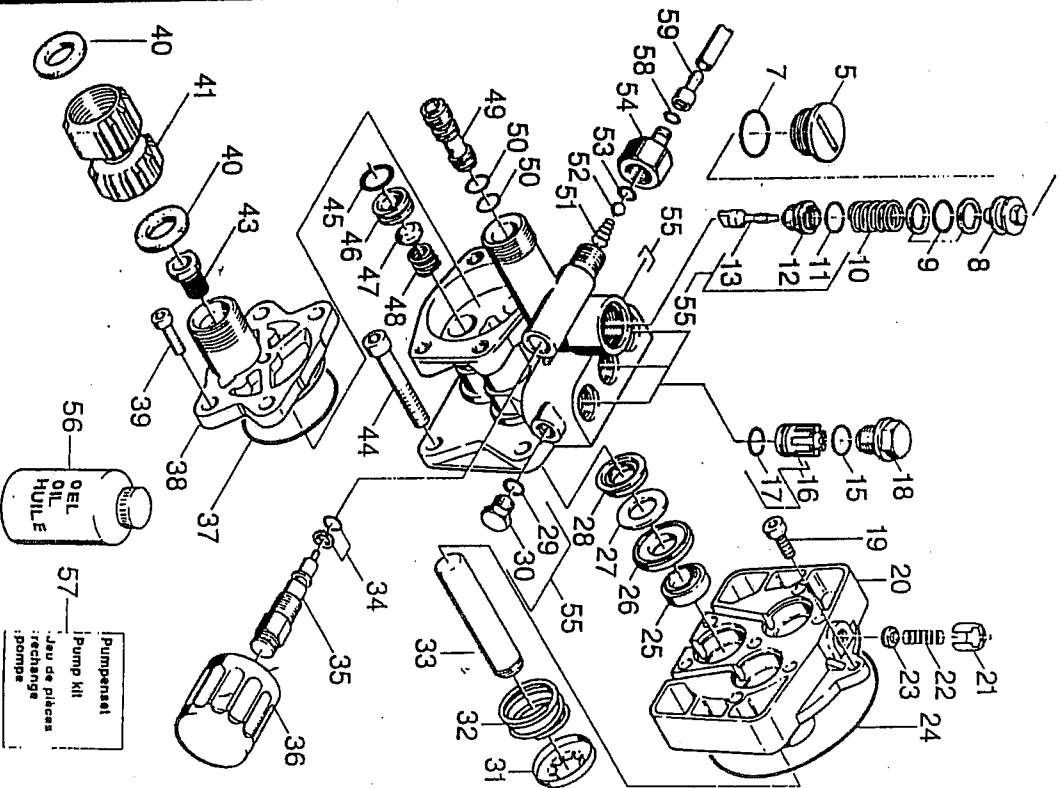
ab Merk-Nr. 52 003/ from serial No. 52 003/ à partir du N° de fabrication 52 003

5	Verschluss-Schraube/ Screw Plug/ Bouchon de Vidange	5.411-072.0	1
7	O-Ring 18x2,5/ O-Ring 18 X 2,5/ Joint Torique	6.362-079.0	1
8	Kolben/ Piston/ Piston	5.553-176.0	1
9	O-Ring Kpl./1st.-R./ O-Ring/ Joint Torique	6.362-375.0	1
10	Schraubenfeder/ Coil Spring/ Ressort	5.332-207.0	1
11	O-Ring 12,0x2,0/ O-Ring/ Joint Torique	6.362-169.0	1
12	Ventil-Sitz/ Valve Seat/ Siege Soupape	5.581-103.0	1
13	Formschraube/ Special Screw/ Vis Poussoir	5.305-146.0	1
15	O-Ring 13,3x2,4/ O-Ring/ Joint Torique	6.362-078.0	3
16	Ventil Kompl./ Valve Compl./ Soupape Compl.	4.580-180.0	3
17	O-Ring/ O-Ring/ Joint Torique/ 12,42x1,78	6.362-480.0	3
18	Ventilschraube/ Valve Screw/ Bouchon de Soupape	5.583-108.0	3
19	Zyl.schr. M6x12/ Cheese Head Screw/ Vis A Tete Cylindr.	6.304-016.0	2
20	Gehäuse/ Housing/ Boîtier	5.060-340.0	1
21	Formteil/ Moulding/ Piece Profilée	5.030-533.0	1
22	Schraubenfeder/ Coil Spring/ Ressort	5.332-209.0	1
23	Ventilteller/ Valve Disk/ Tete de Soupape	5.582-080.0	1
24	O-Ring 85x3/ O-Ring/ Joint Torique	6.362-097.0	1
25	Nutring 16x24x7/ Packing Ring/ Joint Rainure	6.365-322.0	3
26	Scheibe/ Washer/ Rondelle	5.115-385.0	3
27	Scheibe/ Disk/ Disque	5.115-425.0	3

Gruppe 2: Pumpensatz  
 Group 2: Pump Unit  
 Groupe 2: Moto-pompe

# F 2

# KÄRCHER 455

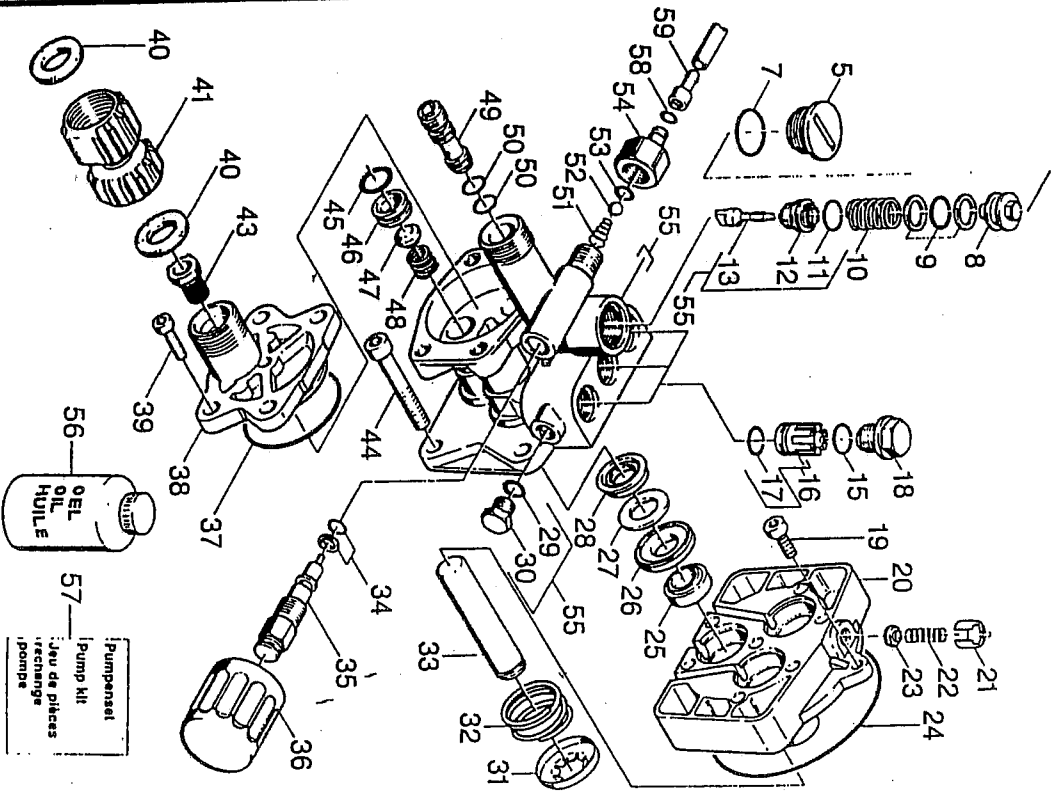


Pos. Item Pos.	Benennung Description Designation	Teil-Nr. Part-No. No. piece	Stück Qty. Nbr.
ab Werk-Nr. 52 003/ from serial No./a partir du numero de fabrication			
28	Nutring 16x24x5/ Packing Ring/ Joint Rainure	6.365-321.0	3
29	O-Ring 8x2/ O-Ring/ Joint Torique	6.362-101.0	1
30	Verschluss-Schraube/ Screw Plug/ Bouchon	5.411-064.0	1
31	Formtefl/ Moulding/ Piece Profilée	5.030-500.0	3
32	Schraubenfeder/ Coil Spring/ Ressort Helicoidal	5.332-206.0	3
33	Kolben/ Piston/ Piston	5.553-184.0	3
34	O-Ring Komplet/ O-Ring Compl./ Joint Torique Compl	6.362-365.0	1
35	Spindel/ Spindle/ Axe	5.291-032.0	1
36	Griff/ Handle/ Poignée	4.321-052.0	1
37	O-Ring 50x2/ O-Ring 50x2/ Joint Torique 50x2	6.362-561.0	1
38	Gehäusedeckel/ Cover/ Couvercle	5.060-336.0	1
39	Zyl.schr. M8x20/ Cheese Head Screw/ Vis A Tete Cylindr.	6.303-078.0	4
40	Flachdichtung/ Flat Packing/ Garniture Plate	5.364-129.0	2
41	Verschraubungsteil/ Screw Fitting/ Raccord Visse	4.401-059.0	1
43	Sieb/ Strainer/ Passoir	6.414-252.0	1
44	Zyl.schr. M8x50/ Cheese Head Screw/ Vis A Tete Cylindr.	6.304-017.0	4
45	O-Ring 14x2/ O-Ring 14x2/ Joint Torique 14x2	6.362-481.0	3
46	Ventil-Sitz/ Valve Seat/ Siege de Soupape	5.581-104.0	3
47	Ventilteller/ Valve Head/ Tete de Soupape	5.582-073.0	3
48	Schraubenfeder/ Coil Spring/ Ressort A Boudin	5.332-249.0	3
49	Dueseneinsatz/ Nozzle Insert/ Injecteur Detergent	5.769-087.0	1

Gruppe 2: Pumpensatz  
 Group 2: Pump Unit  
 Groupe 2: Moto-pompe

# G 2

# KÄRCHER 455



Pos. Item Pos.	Benennung Description Designation	Teil-Nr. Part-No. No. pièce	Stück Qty. Nbr.
----------------------	---	-----------------------------------	-----------------------

ab Werk-Nr. 52 003/From serial No. 52 003/à partir du N° de fabrication 52 003

50	O-Ring 9x1,5/ O-Ring 9x1,5/ Joint Torique 9x1,5	6.362-384.0	2
51	Schraubenfeder/ Coil Spring/ Ressort A Boudin	5.332-124.0	1
52	Stahlkugel 7 D/ Steel Ball/ Ball D'acier	7.401-909.0	1
53	O-Ring 6x2/ O-Ring 6x2/ Joint Torique 6x2	6.362-383.0	1
54	Schlauchkupplung/ Hose Coupling/ Raccord Pompiers	5.446-005.0	1
55	Zylinderkopf/ Cylinder Head/ Culasse De Cylindre	4.550-120.0	1
56	Motorenöl 1l/ Engine Oil/ Huile A Moteurs	6.288-050.0	11
57	Pumpensatz siehe Bitdtafel H16/ Pump kit see Board H16/ Jeu de pièces de rechange pompe voir Tableau H16	2.883-103.0	1
58	O-Ring/ O-Ring/ Joint Torique	6.362-362.0	1
59	Schlauchnippel/ Hose Stem/ Raccord Pour Tuyau	5.443-300.0	1





**KÄRCHER**

**A 3**

**KÄRCHER 455**

**Gruppe 3: Motor**

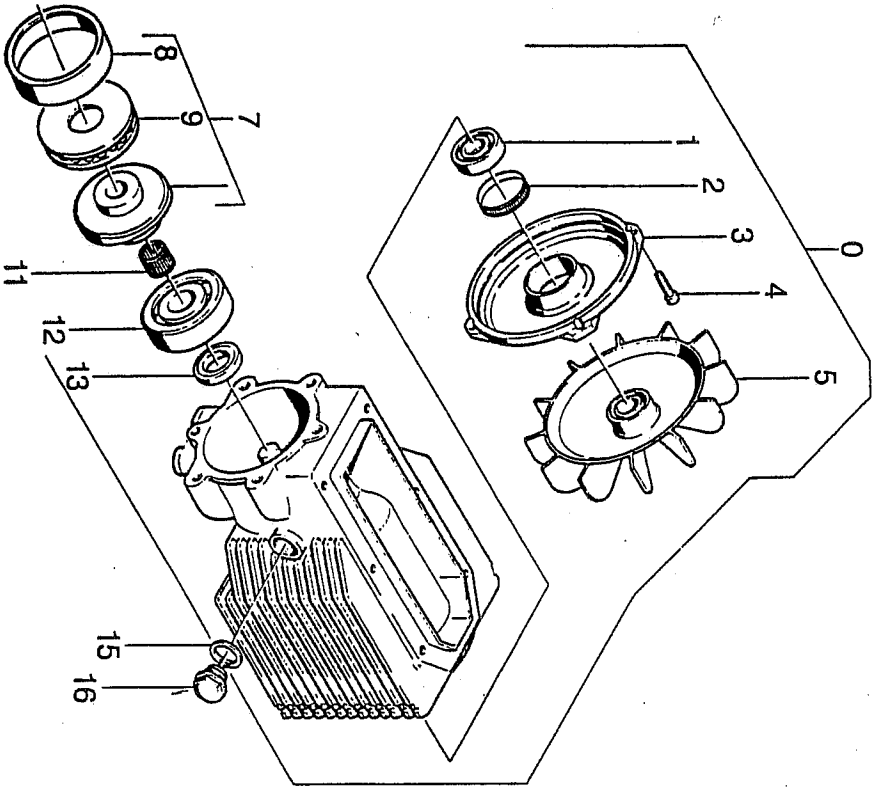
**Group 3: Motor**

**Groupe 3: Moteur**

Gruppe 3: Motor  
 Group 3: Motor  
 Groupe 3: Moteur

**B 3**

**KARCHER 455**



Pos. Item Pos.	Benennung Description Designation	Teil-Nr. Part-No. No. piece	Stück Qty. Mbr.
0	Motor e Vollst./ Motor/ Moteur	4.623-056.0	1
1	Kugellager 6002-2rs/ Ball Bearing/ Roulement A Billes	7.401-115.0	1
2	Toleranzring 32x6/ Tolerance Ring/ Entretoise	6.343-026.0	1
3	Deckel/ Cover/ Couvercle	5.063-330.0	1
4	Zyl.schr. M5x20/ Cheese-Head Screw/ Vis A Tete Cylindr.	6.303-076.0	4
5	Laufrad/ Running Wheel/ Roue de Roulement	5.600-018.0	1
7	Taunelscheibe Kol./ Smash Plate/ Disque Incline	4.120-128.0	1
8	Profiling/ Profile Ring/ Anneau	5.015-044.0	1
9	Ax-Rillenkugellager/ Thrust Bearing/ Butee	6.401-141.0	1
11	Toleranzring D17x16/ Tolerance Ring/ Entretoise	6.343-027.0	1
12	Schraegkugellager/ Ang. Ball Bearing/ Roulement A Billes	7.401-036.0	1
13	W-Dichtung/ Rotary Shaft Seal/ Bague A Levres Res.	7.367-016.0	1
15	Dichtung/ Seal/ Joint	6.362-585.0	1
16	Verschlusschraube/ Screw Plug/ Vis de Fermeture	5.411-088.0	1



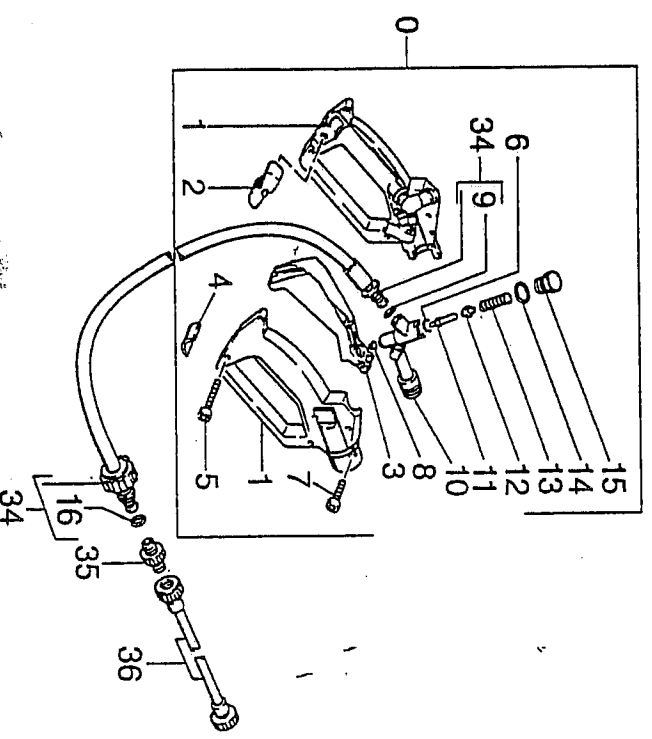
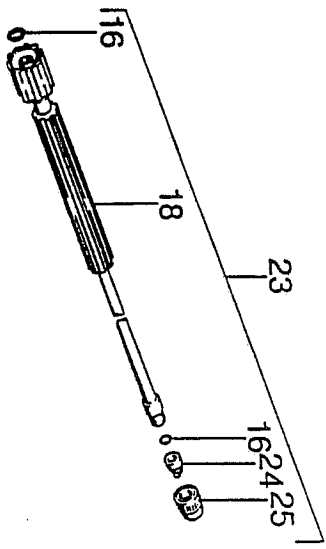
 **KÄRCHER**

**A 4**

**KÄRCHER 455**

**Gruppe 4: Zubehör**  
**Group 4: Accessories**  
**Groupe 4: Accessoires**

# B 4 KÄRCHER 455



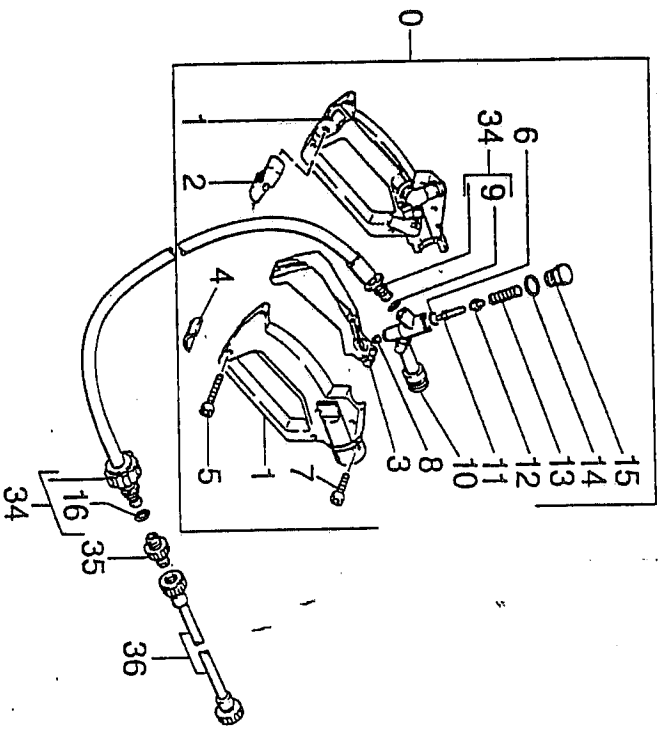
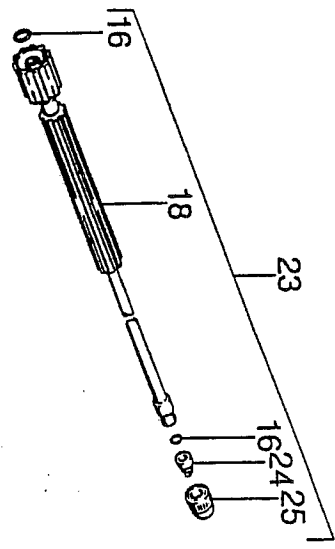
Pos.	Benennung Item Description Pos. Designation	Teile-Nr. Part-No. No. piece	Stück Qty. Nbr.
0	Handspritzpistole Ohne HD-Schlauch/ Trigger Gun Without High Pressure Hose/ Poignee Pistolet Sans Flexible HP	4.775-036.0	1
1	Griffpaar/ Grip (Two Halves)/ Demi-Poignees	5.321-129.0	1
2	Hebel/ Lever/ Levier	5.481-052.0	1
3	Hebel/ Lever/ Levier	5.481-053.0	1
4	Schutzteil/ Protection Piece/ Piece de Protection	5.394-156.0	1
5	Schraube 4,2x22/ Screw 4,2 X 22/ Vis 4,2 X 22	6.303-024.0	5
6	O-Ring 2,8x1,6/ O-Ring 2,8x1,6/ Joint Torique	7.362-502.0	1
7	Schraube 4,2x16/ Screw 4,2 X 16/ Vis 4,2 X 16	6.303-025.0	1
8	Zapfen/ Trunnion/ Tourillon	5.108-051.0	1
9	O-Ring 6,75x1,78/ O-Ring/ Joint Torique	6.362-422.0	1
10	Knotenstueck/ Strut Att. Fitting/ Ferrure Nodale	5.427-086.0	1
11	Stange/ Rod/ Perche	5.107-067.0	1
12	Ventilteller/ Valve Head/ Tete de Soupape	5.582-058.0	1
13	Schraubenfeder/ Coil Spring/ Ressort A Boudin	5.332-157.0	1
14	O-Ring 12,42x1,78/ O-Ring 12,42x1,78/ Joint Torique	6.362-480.0	1
15	Verschluss-Schraube/ Screw Plug/ Vis de Fermeture	5.411-054.0	1
16	O-Ring-Set (5 Stück)/ O-Ring Set (5 pieces)/ Jeu de 5 Joints Toriques	2.880-296.0	1
18	Griff-Hälfte/ Grip (Half)/ Demi-Coquille	5.321-134.0	2
23	Strahlrohr-Komplett/ Spray Lance Complete/ Tute de Lance Complet	4.760-194.0	1
24	Wechseldüse/ Change Nozzle/ Tuyere Variation	6.415-515.0	1



Gruppe 4: Zubehör  
 Group 4: Accessories  
 Groupe 4: Accessoires

**C 4**

**KÄRCHER 455**



Pos. / Item / Pos.	Benennung / Description / Designation	Teile-Nr. / Part-No. / No. piece	Stück / Qty. / Nbr.
25	Verschraubungsteil / Screw Fitting / Raccord Visse	5.401-146.0	1
34	HD-Schlauch, MW 6,10m/ High Pressure Hose, Nom. dia. 6,10m/ Flexible HP DN 6, Longueur 10m	<del>6.389-354.0</del> 6.389-555	1
35	Doppelstutzen/ Double Socket/ Tuyau de Rallonge	4.403-002.0	1
36	Verlängerungs-HD-Schlauch, MW 8,10m/ Extension Of High Pressure Hose, Nom. Dia. 8,10m/ Rallonge De Flexible HP DN 8, Longueur 10m	6.388-668.0	1

